



# The ionpia H<sub>2</sub>

Owner's Manual

Only from AlkaViva

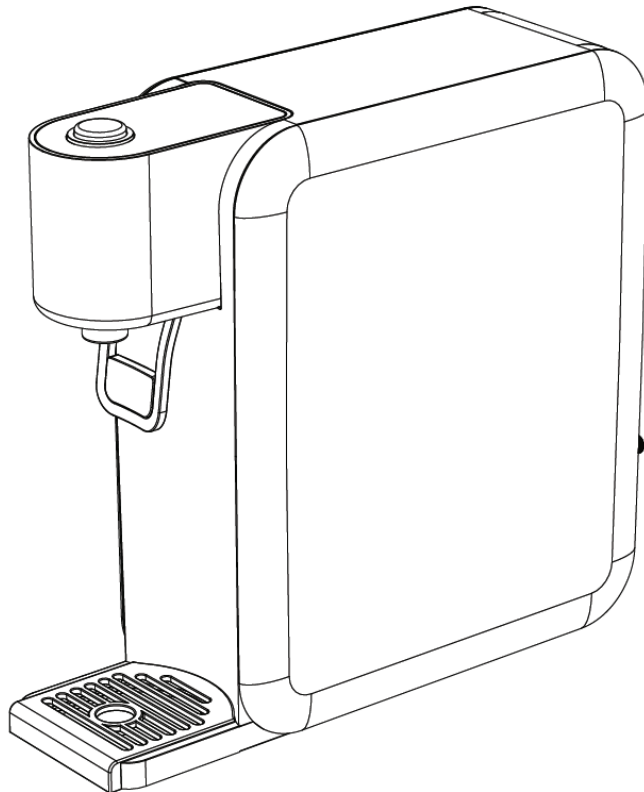


**Warning:** Incorrect installation and/or operation could void your valuable warranty.  
Please protect your investment! READ THIS MANUAL CAREFULLY.



# TABLE OF CONTENTS

Safety Precautions.....	03
Quick Tour of the ionpia H <sub>2</sub> .....	04
Installation.....	06
Operation.....	10
Replacing your Filters.....	10
Product Specifications.....	12



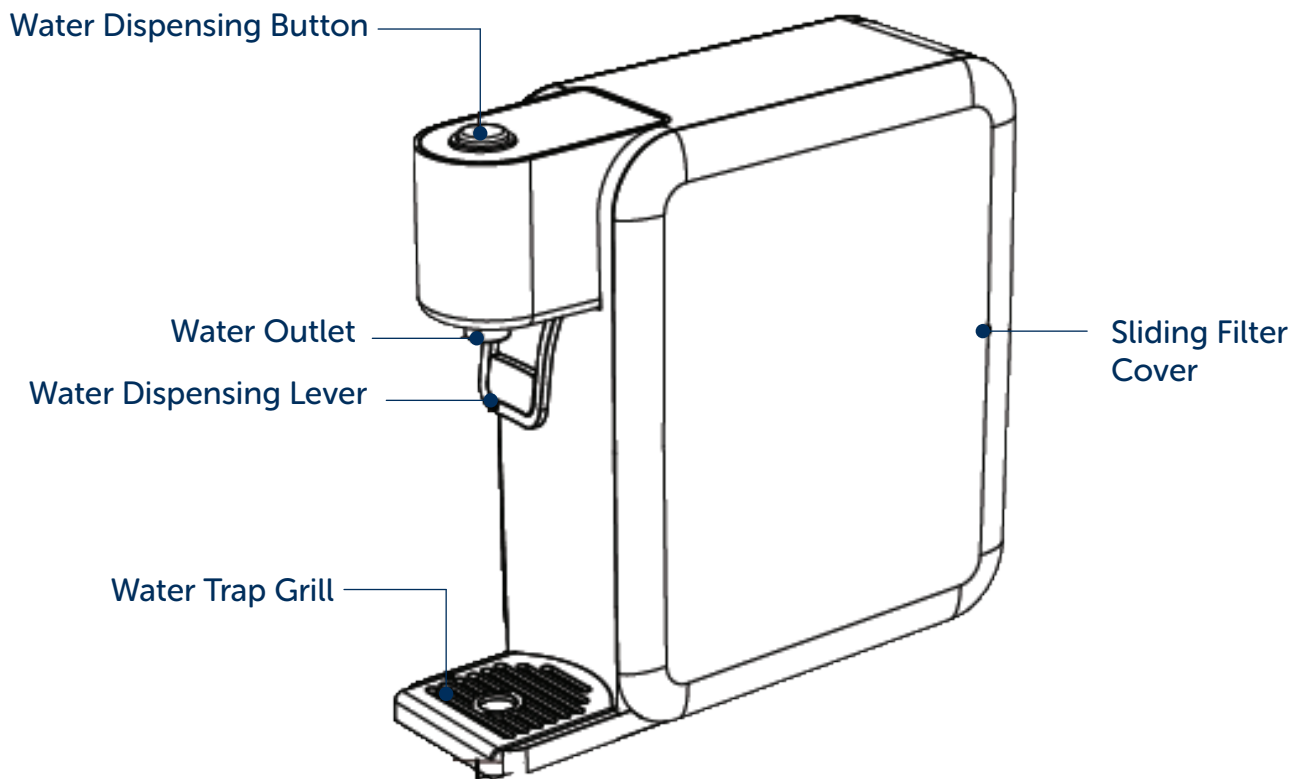
# 1 Safety, Installation and Operating Precautions



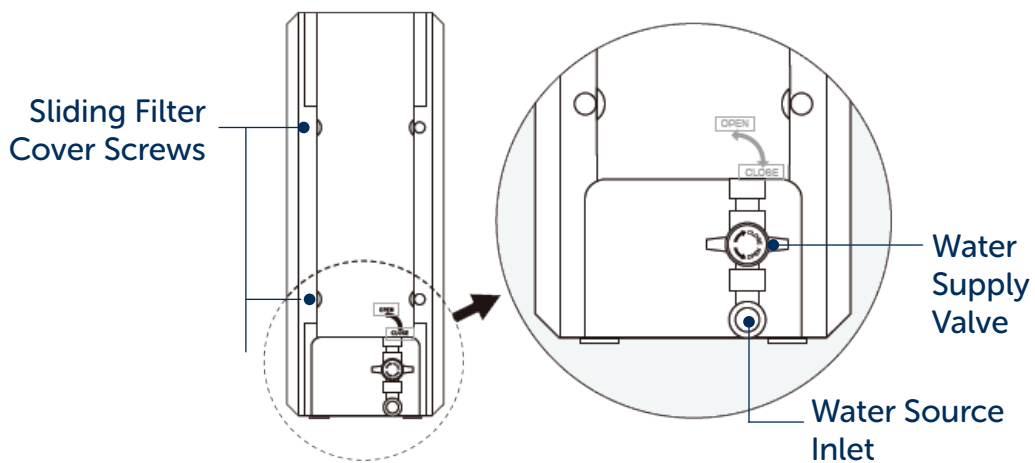
## Precautions and Safeguards

- This product is designed for household use only. Use in a commercial application will void your valuable warranty.
- NEVER attempt to repair or service your ionpia H<sub>2</sub> yourself. Attempting to do so will void your valuable warranty. Contact AlkaViva Technical Support to arrange service or repair.
- If your ionpia H<sub>2</sub> becomes submerged in water, unplug the power cord from the wall before removing. Failure to do so could result in shock!
- Filters should be replaced per manufacturer suggestion at the end of the filter life. It is important that the replacement filters are installed in the correct position with every filter change.
- The ionpia H<sub>2</sub> must be grounded! In the event of malfunction or breakdown the grounding conductor will prevent risk of electric shock/spark. The electrical plug must be plugged into an appropriate outlet that is installed and grounded in compliance with all local codes and ordinances.
- When installing your ionpia H<sub>2</sub> use only manufacturer provided parts and equipment. Using third-party or after-market parts can void your valuable warranty.
- Always install on a solid and level surface. Do not move your ionpia H<sub>2</sub> while in use.
- DO NOT install or use your ionpia H<sub>2</sub> near open heat sources or open flames such as stoves, ranges, heater vents or candles.
- The ionpia H<sub>2</sub> can be used on 110v~240v. Always be sure to use the appropriate factory electrical plug. Always make sure that the plug is firmly inserted into the outlet. Never try to make any modifications to manufacturers original equipment, and never use a damaged power cord.
- Be sure that the power adapter is placed where it will not come into contact with water.
- Protect your ionpia H<sub>2</sub> from freezing temperatures and direct sunlight.
- Only operate your ionpia H<sub>2</sub> with cold water. Hot water will damage your filters.
- If The ionpia H<sub>2</sub> makes strange or unusual noises, odors, unplug the power cord immediately and contact AlkaViva Technical Support.
- Unplug The ionpia H<sub>2</sub> if you plan on not using it for an extended period (2 weeks). Store your filters in a plastic bag in the refrigerator to prevent bacterial growth. In cases of extended periods of non-use (4+ weeks), filter replacements may be necessary.
- Do not use your ionpia H<sub>2</sub> with well water, water with extreme hardness, high sediment or TDS without first contacting AlkaViva Technical Support.
- Your ionpia H<sub>2</sub> is not under warranty for any damages caused by hard water or environmental conditions.
- Only clean the exterior with warm water, detergent and a soft rag or paper towel. Do not use chemical or abrasive cleaners – they can damage the surface. Do not spray or pour water over your ionpia H<sub>2</sub>. Never submerge your ionpia H<sub>2</sub>.
- Do not close, bend, pinch, press or otherwise obstruct inlet supply lines, or equipment.

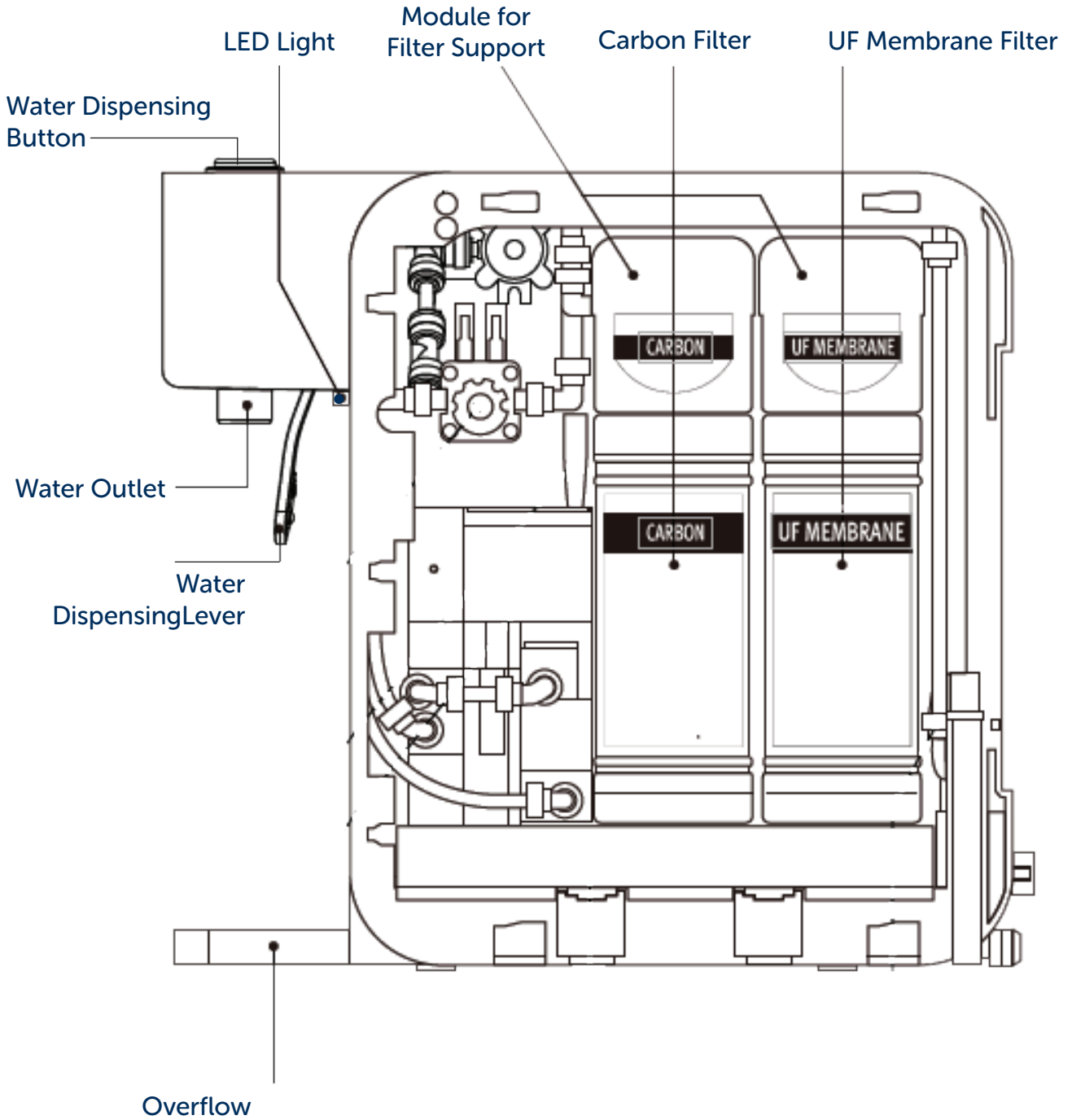
## 2 Quick Tour of The ionpia H<sub>2</sub>



## Back of The ionpia H<sub>2</sub>











## Internal Structure



# 3 Installation Procedure



## Installation Precautions

- |   |   |
|---|---|
|  Protect your ionpia H <sub>2</sub> from freezing temperatures. |  Do not put anything heavy on top of your ionpia H <sub>2</sub> .          |
|  Protect your ionpia H <sub>2</sub> from direct sunlight.       |  Do not install your ionpia H <sub>2</sub> on an unstable or soft surface. |
|  Install only on a hard and level surface.                      |  Do not install close to a stove.  |
|  Install close to a properly grounded electrical outlet.        |  Do not close, bend, pinch, press or otherwise obstruct hoses.             |

If you have installation questions, please contact AlkaViva Technical Support.

## Installation Options

Install Method 1: At your sink attached to your faucet with the diverter.

Install Method 2: At your sink but plumbed directly to your cold water line (no diverter).

It is recommended that Method 2 be completed by a licensed plumber.

### Make Sure You Have All the Accessories

Before installation, please check to ensure you have the accessories pictured below.

Please note that the diverter and adapters accommodate the majority of standard faucets. If you have a non-standard or a custom faucet or plumbing, you may need to locate and purchase additional parts. If you need help, please contact AlkaViva Technical Support. Save the box your ionpia H<sub>2</sub> generator came packed in. This will help if your ionpia needs to be transported at a later date.

1 - Faucet Diverter

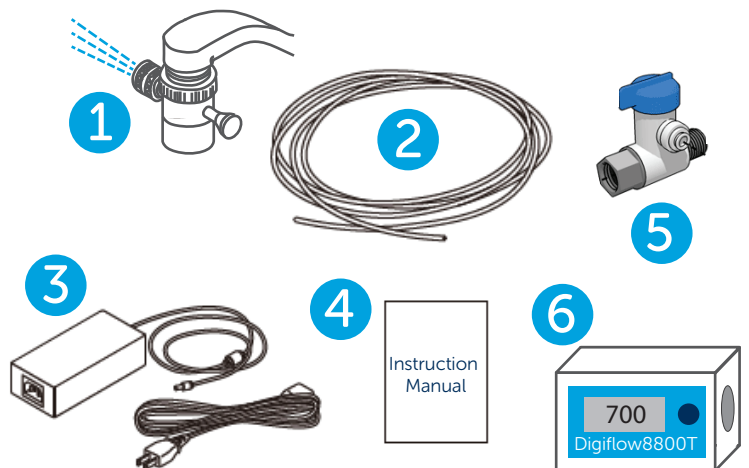
2 - Tubing 3m (1/4")

3 - Adapter and power cord for power connection (AC 100-240V, DC 12V 5A)

4 - Instruction Manual

5 - Angle Stop Adaptor

6 - DigiFlow Meter



## Install Method 1: At the sink with a diverter (easiest)



### Tools You May Need:

- Standard pliers or channel locks
- A sharp knife or a good pair of kitchen scissors

[Watch video for diverter installation](#)

<https://vimeo.com/147759112>

Please note that your diverter style may vary, but the installation is the same. Using a pair of pliers may help to make the installation easier.

### Part 1

1. Start by removing the aerator from your faucet. (It will unscrew counter clockwise.)

*1/4" White Hose to Tap Water Inlet Port*

2. Thread your new water supply diverter valve into the place where you removed the aerator. If it does not fit, please use the appropriate size adapter from your installation kit.

3. Unthread the compression nut from the side of the diverter to expose the tubing connector for the 1/4" water supply tubing.



4. Slide the compression nut down the supply tubing about 2 inches. Be sure the threads face the tubing connector on the diverter - you will screw the nut back onto the diverter.

5. Push the tubing over the tubing connector. Be sure to push it onto the connector as far as it will go. This may require a firm push. Failure to seat it all the way may cause a leak.

6. Slide the compression nut back over the supply line to the diverter valve and thread into place. Ensure the nut is screwed firmly in place, but do not overtighten.

### Part 2

1. Connect the 1/4" water supply tubing into the Source Water Inlet on the back of The ionpia H<sub>2</sub>. To do this, simply push the supply tubing into the fitting as far as it will go, then give it a slight pull. If it is seated properly into the fitting, it will not leak.

2. Connect the power supply and adapter to The ionpia H<sub>2</sub>, and to the power outlet.

3. Turn the Water Supply Valve on the back of The ionpia H<sub>2</sub> to the OPEN position.

[You are now ready to start drinking great tasting, healthy hydrogen-rich water.](#)



## Install Method 2: Direct connect to your water supply

Watch video for How to direct plumb The ionpia H<sub>2</sub>

<https://vimeo.com/144697017>

1. Install Angle Stop Adapter (included) to COLD WATER SUPPLY LINE. Locate the cold water line. Shut off the cold water supply. Unscrew the flexible supply line from the angle stop. Attach the adapter. (Fits standard 1/2" and 3/8" plumbing.)
2. ATTACH THE WHITE 1/4" TAP WATER INLET TUBING TO THE ANGLE STOP ADAPTER (Fig. 1) Attach the white 1/4" tubing to the adapter by simply pushing firmly into the white port. Give a gentle tug to ensure proper connection. It should not come out. You will need a way to route the white tubing from the adapter to your ionizer. Most newer sinks have cutouts that will work for this. If not, drill a 1/4" hole.
3. ATTACH THE WHITE 1/4" TAP WATER INLET TUBING TO YOUR ionpia H<sub>2</sub>. (Fig. 2) Attach opposite end (free end) of the 1/4" tubing to the white TAP WATER INLET port on the back of the ionpia H<sub>2</sub>. To attach the white tubing, simply push it firmly into the TAP WATER INLET port. Give it a gentle tug to ensure proper connection. It should not come out. To remove tubing, press the collet towards the fitting and pull the tubing out at the same time.
4. POSITION YOUR ionpia H<sub>2</sub> - Ensure it is on a hard and level surface. See installation precautions.
5. CONNECT THE POWER CORD - Use an appropriate grounded outlet.

Fig. 1  
Angle Stop Adaptor

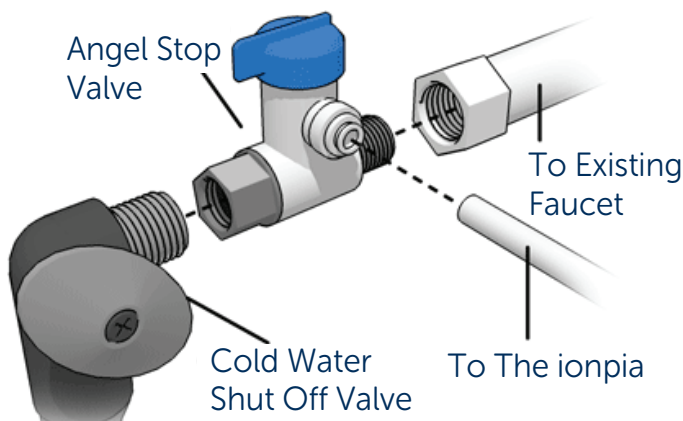
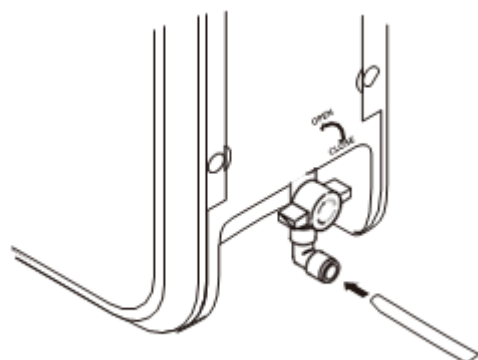


Fig. 2  
Tap Water Inlet Connection



## Installing Digital Flow Meter

1. Slide open the battery case cover and put in 2 AAA batteries. Replace the cover.
2. Decide where, in your 1/4" tap water inlet tubing, you would like to place the DigiFlow meter. Make sure the water is SHUT OFF. Using a sharp knife or sharp pair of kitchen scissors, make a straight cut through the tubing.
3. Push the inlet tubing into the quick connect fittings on each side. Push until they are fully seated, then give a light pull to be sure that they are seated properly.

## Operating the Digital Flow Meter

The DigiFlow 8800T will automatically turn on when water is flowing through and show remaining filter life capacity. It will automatically shut off 10 seconds after the water flow stops. When no water is being ran through it you can view the remaining filter life by pressing CHECK/RESET button.

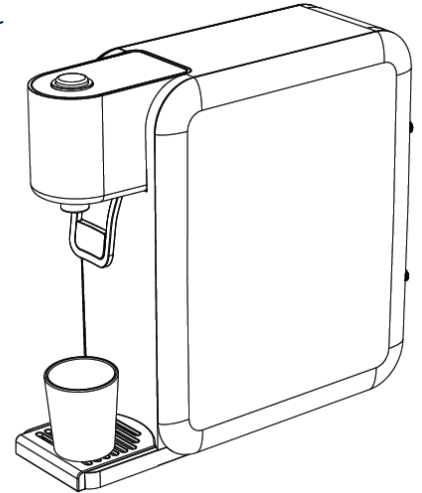
\*The DigiFlow meter counts down, meaning it will show you how many gallons are left, not how many have been used.

When the meter reaches zero(0), indicating your filters have expired, the DigiFlow meter will start making a series of short beeping noises and blink zero(0) to notify you that it is time to replace your filters. To reset the meter press and hold the CHECK/RESET button for 5 seconds until the capacity is reset to 700 gallons. When the battery gets low the meter will beep as though the filter is expired, however it will not show zero(0) and a picture of a battery will show in the corner of the screen.

## 4 Operation

There are two ways to use The ionpia H<sub>2</sub> using the water dispensing button, or the water dispensing lever.

1. Turn your tap water onto cold, then turn the lever on your diverter valve. This will divert the water from the tap to The ionpia H<sub>2</sub>. At this point, check all connections for leaks, tighten or re-seat if needed. If the diverter is leaking at the faucet, use Teflon tape.
2. Place your glass under The ionpia H<sub>2</sub> water outlet and press the water dispensing button on top, or use the water dispensing lever by leaning your glass inwards to depress it.
3. It is important to flush the filters before you start drinking the water, after initial installation or filter replacement. Do this by running water through the unit for several minutes (or just until it is clear) and discard the water.  
\* Some discoloration can be expected but may not always be present when flushing the filters.



## 5 Replacing your filters

Replacing your filters in a timely manner as recommended by the manufacturer is very important for optimum hydrogen production as well as producing the healthiest, contaminant-free water.

- DO NOT disconnect any of the fittings or plumbing inside of The ionpia H<sub>2</sub>. This is not necessary and will void your valuable warranty.
- Be sure to change the filters one at a time as they need to be installed in the correct position.

The filters ARE NOT INTERCHANGEABLE.

1. Turn water supply valve on the back of The ionpia H<sub>2</sub> to the closed position.
2. Place a container under the water dispenser and depress the water dispensing button to remove any residual water inside the system.
3. Remove the two filter cover screws from the back of The ionpia H<sub>2</sub> on the left hand side, and slide the cover straight back to remove.

4. Swing the filter outwards at a 90-degree angle and turn counter clockwise a quarter turn to release. Then remove by pulling straight out of the filter saddle. See Figure 1.
5. Hold the new filter at a 90-degree angle and place into the filter saddle by aligning the grooves. Press it in and turn clockwise a quarter turn to lock it into place. See Figure 2.
6. After installing your new filters, replace the cover by reversing step 3. Be sure to replace the set screws when done.
7. Turn on water to unit by opening the water supply valve on the back of The ionpia H<sub>2</sub> by turning it to the OPEN position.
8. It is important to flush the filters before you start drinking the water. Do this by running water through the unit for several minutes (or until clear) and discard the water.

Fig. 1  
Removing Filter

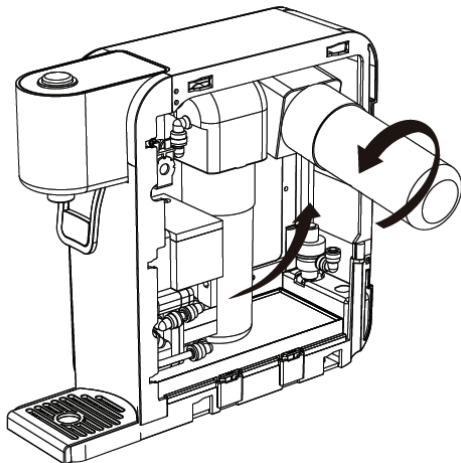
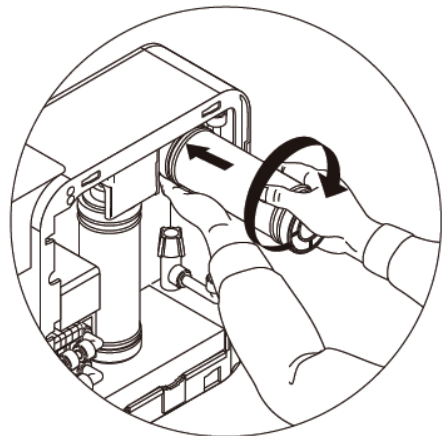
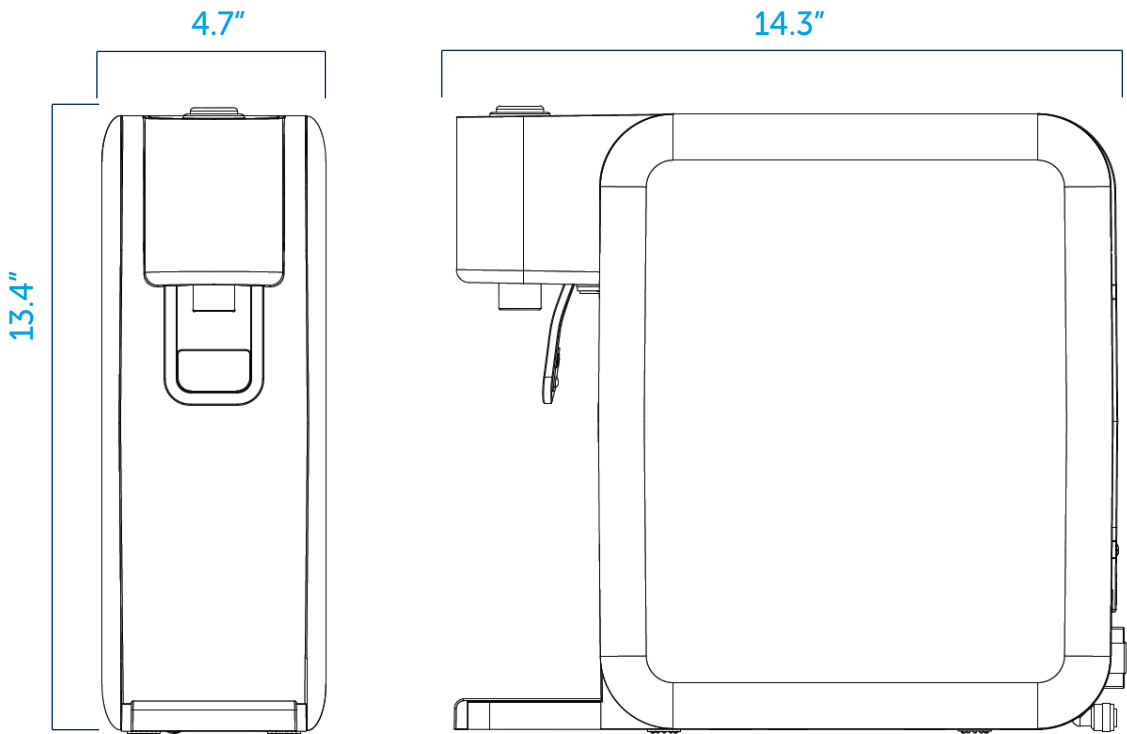


Fig. 2  
Installing Filter



## 6 Product Size and Specifications



Model Name:	The ionpia H <sub>2</sub>
Product Name:	Neutral-Water Hydrogen Generator
Power:	100-240V, DC12V (50/60Hz)
Power Consumption:	65W
Operation Method	Mechanical
Usage	Household drinking water
Water Pressure Allowance	29 psi - 58 psi
Water Temperature	40°F - 80°F DO NOT USE HOT WATER
External Dimension	4.7"(W) x 14.3"(D) x 13.4"(H)
Weight	9.9lbs
Filter Rating	Rated at 700 gallons or 1 year, whichever comes first.







# **ALKA VIVA**

## Hydrogen Enhanced Living

Revision Version Date: 10.24.2016

Dealer Information